

Ruggedised Wedge Camera

SNW-20XX1T

stortech | Components and
CCTV Specialist



SNW-20XX1T

2M Bus & Lorry External camera



Key Features

- Max .2 - megapixel (1920 x 1080) resolution
- 2.1mm, 2.8mm & 3.6mm lens options
- Max .25ips @ all resolutions, 20ips 3MP (2304 x 1296)
- H.265+ (Compatible with H.264, H.265) compression
- Day & Night (ICR) / LED – 10m Illumination
- DWDR, BLS, 2D/3D noise reduction
- PoE options
- Metal

Ordering Information

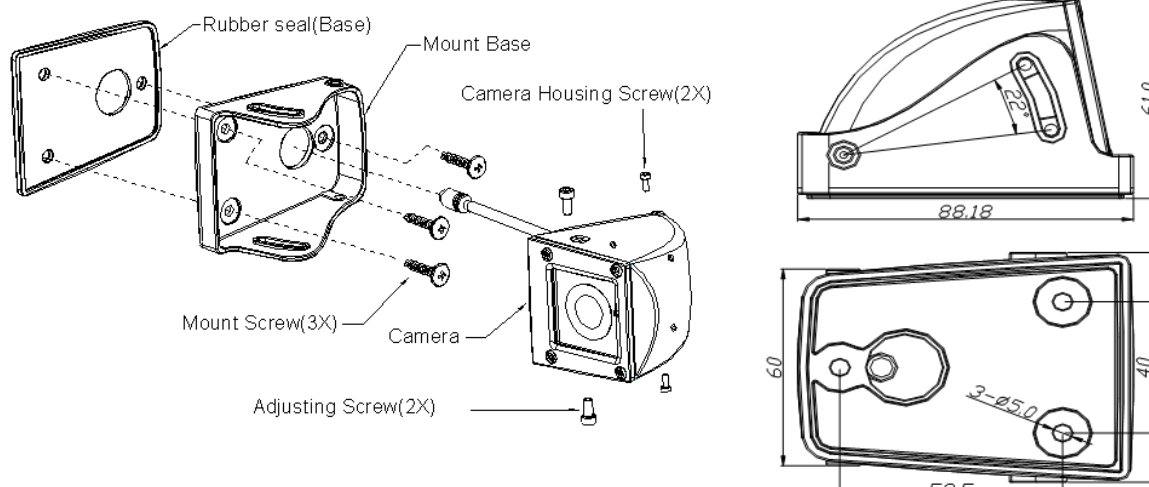
N.B. XX/T= Top, XX/B=Bottom, XX/L Left side Front, Right Rear & XX/R=Right-side Front, Left Rear mounting options

SNW-20211T Wedge, 2MP, 2.1mm, TD/N (PoE Int Option)

SNW-20281T Wedge, 2MP, 2.8mm, TD/N (PoE Int Option)

SNW-20361T Wedge, 2MP, 3.6mm, TD/N (PoE Int Option)

Dimensions



Specifications

SNW-20XX1T / SNW-20XX1T/P

VIDEO	
Imaging Device	Embedded RTOS, dual-core 32bit DSP (GK7205V210)
Effective Pixels	2,304 (H) x 1'296 (V) approx. 3M pixels
Min. Illumination	Colour: 0.0001 Lux / B/W: 0.0001Lux (IR LED) TD/N @ F1.2
IR LEDs	12 x 850nm 10m Illumination
LENS	
Focal Length	2.1mm, 2.8mm & 3.6mm Options
Field of View	3.6mm: 76° ~ 41° / 2.8mm: 96° ~ 52° / 2.1mm: 104° ~ 56°
Lens / Mount Type	Fixed Iris / Board-in type
IMAGE SETTINGS	
Overlay Information	Name, Bitrate, Channel Inf, Time, Position
Privacy Zones	Up to 4
Smart Night	HumanSense/ColorSense/SmartExir
Image Mode	Style1/Style2/Style3
IR-Cut	Light board switching/Automatic Switching
Delay Interval	N/A
IR-Cut Reverse	On/Off
Image Mirror	Mirror on/off, Flip on/off
Image Adjustment	Brightness, Contrast, Saturation, Hue
Anti Flash Mode	50HZ, 60HZ, Close
Aperture Type	Auto, Manual
Shutter Speed	Auto, 1/50, ~ 1/10,000
Gain	On/off, max 50
White Balance	N/A
Denoise 2D & 3D	Day: Level 0-5, Night: Level 0-5
BLC	Open, Close, Level 0-10
WDR	On/OFF
NETWORK	
IP Type	Manual, DHCP, Auto
Ethernet	RJ-45 (10/100 BASE-T)
Video Compression Format	Main & Sub streams: Video & Audio/ Video, H265+ (H.264/H.265), AVI;0.1M~8Mbps variable;1~25f/s variable
Resolution	Main code stream: 2304 x 1296 (20ips), 1920 x 1080 (25ips) Sub code stream: 800 x 448 (25ips)
Port Configuration	HTTP (80), Command Port (6060), Data Port (6066) (Defaults)
RTSP	Port default 554, rtsp://10.6.1.4:554/user=\$(USER)&password=\$(PWD)&channel=\$(Channel)&stream=\$(Stream).sdp?real_stream For example: (Main Stream=0, sub stream=1) rtsp://192.168.0.151:554/user=admin&password=&channel1=&stream=0.sdp?real_stream
Latency	Ave. 200ms
Max. Framerate	H.265 / H.264: Max. 20ips 3MP, 25ips at all other resolutions
Bitrate Control	H.265 / H.264: CBR or VBR
Streaming Capability	Multiple streaming
Audio In	Selectable (Mic in / Line in)
Audio Compression	G.711,support bidirectional talk,audio&video synchronization
Audio Communication	Input & Output volume Adjust.
Microphone	optional
IP	IPv4, IPv6
Protocol	ONVIF, TCP/IP, IPv4, RTSP,FTP, NTP, DHCP, UPnP
Snapshot Configuration	Image Resolution: follow the video stream
Streaming Method	Unicast / Multicast
User Access	1 x Admin, Total 5 x User
Interface	ONVIF profile S, Proprietor API
Viewing/ Setup S/W	Stortech VMS

ALARM SETTINGS	
Audible alarm	Sound types, Custom, Alert area, please leave/you have entered the monitoring area/Hello welcome/Private sphere, no entry/Howling alarm/before next alarm 0-3599 seconds
Schedules	All Day, Manual (by day/hour), Night, Day
Alarm Output	1 x Name, Delay, Custom/keep, 1 ~ 600 s
Light Mode	N/A
Defense area	Intelligent Alert, (6 level) Audible, Selectable zones (shape/size). Overlay for Human, Area by Main & Sub streams
System Settings - Date/Time	Format, 12/24hr, Sync to PC, Sync to Network Time, Daylight Saving
System Log	All, System, Configuration, Storage, Alarm, Record, Account, File Access
ENVIRONMENTAL	
Operating Temp/ Hum	-20°C ~ +55°C / 10-95% RH
Ingress Protection / Vandal Resistance	IP67 / IK10
ELECTRICAL	
Power	48V PoE (IEEE802.3af, Class3) option via external cable
MECHANICAL	
Colour / Material	Black, Metal
Dimensions (W x H x L)	88 x 61 x 70mm
Weight	310g

Customers who bought our External Box Cameras also viewed:



Stortech Micro-Dome Series:

- D056XXXXRange
- D057XXXXRange
- D057 ICR Range



Stortech 7" On-board Monitors:

- SMF-0730/A
- SMF-0730/HT
- SMF-0730/WH



Stortech Miniature Cameras:

- MPC-AHD
- MCC-1
- DCC1-AHD-RT

Stortech Electronics Ltd

Unit 2, Spire Green Centre, Pinnacles,
Harlow, Essex
CM19 5TQ

+44 (0) 1279 451100

www.stortech.co.uk

sales@stortech.co.uk



Stortech Electronics Ltd



Stortech Electronics Ltd