

IR Day/Night Megapixel AHD

Model: RV09-AHD-RT

High resolution, 1.3 Megapixel, 12VDC, 18 x Smart LEDs, with IR-Cut Filter



Description:

This is a high-quality Analogue High Density (AHD) CMOS technology camera. This outdoor, impact resistant true day/night (Colour/mono) camera produces high-resolution images with little. The AHD video is transmitted through 75-Ω coaxial cable and carries the HD signal as far as 250 meters without degradation. AHD system is same as traditional analogue system but needs a Digital Video Recorder capable of receiving an AHD signal. With its lightweight and compact size, this camera is ideal for monitoring and surveillance, especially the 850nm IR LED options, where high-quality images are needed 24/7.

Cautions:

- To prevent the camera from showing a blank white image due to overexposure, please avoid the camera pointing at the direct sunlight.
- Please ensure that the input voltage range is within the specifications.
- Please do not place the camera in an environment of high temperature over 50°C.
- Do not attempt to service the camera yourself. Please refer all services to qualified dealers.

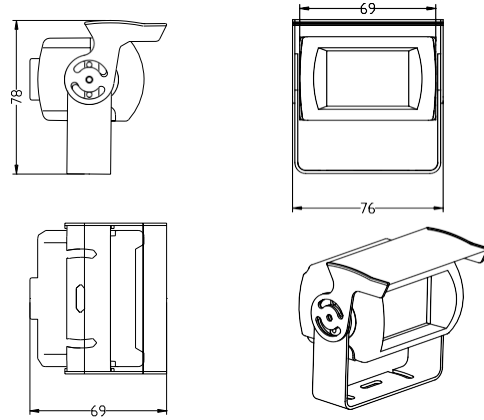
Operation procedures:

- Loosen the locking screws on the sun shield.
- Attach the mounting bracket to the wall or ceiling. Locate a wall stud or ceiling joint and secure the base with the supplied mounting screws.
- Connect the BNC to the monitor.
- Connect the DC jack to 12VDC power source.
- Fix the lock screw.

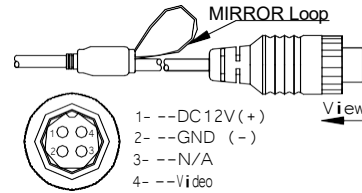
Packing list:

Camera	1
Instruction Manual	1
Self-Tapping Screw	2
Mounting Plug	2
Hey-key	1
Optional Lens	3.6mm or 2.5mm

Dimensions:



Connection:



Specifications:

Model	RV09-AHD-RT
Pick up Device	1/2.9" CMOS Sensor GC2053
TV System	PAL
Picture Elements	1280(H)*960(V)
Effective pixels	1.3M pixels
Day-night mode	External control (default) / Auto / color/mono
Infrared Spectrum	18 x 850nm LED - 10m
S/N Ratio	More than 50 dB, (AGC Off)
Auto Gain Control	Auto
White Balance	Auto
Electronic Shutter	AUTO/ 1/50 (1/60) -1/100,000sec
Back Light Compensation	Auto
Video output	1 Vp-p, 75Ω composite, 4 ways Din jack x1
Audio Output	N/A
Mirror	Available
Power Consumption	180mA
Lens	3.6mm Fixed MP Lens (H) 88° (V) 47° or 2.5mm Fixed MP Lens 133° (H) 70° (V)
Lens Mount	M12XP0.5mm Thread
Pan Adjusting	N/A
Tilt Adjusting	0-90°
Power Supply	12V DC ±10%
Dimensions (L x W x H)	W76 x H78 x D69 mm
Net Weight	280g
Weatherproof	IP67
Impact Resistant	IK10
Operating Temperature	-10°C to +50°C

*Specifications are subject to change without prior notice.

- Input voltage exceeding the nominal rating by over +/-10% will cause abnormal operation.